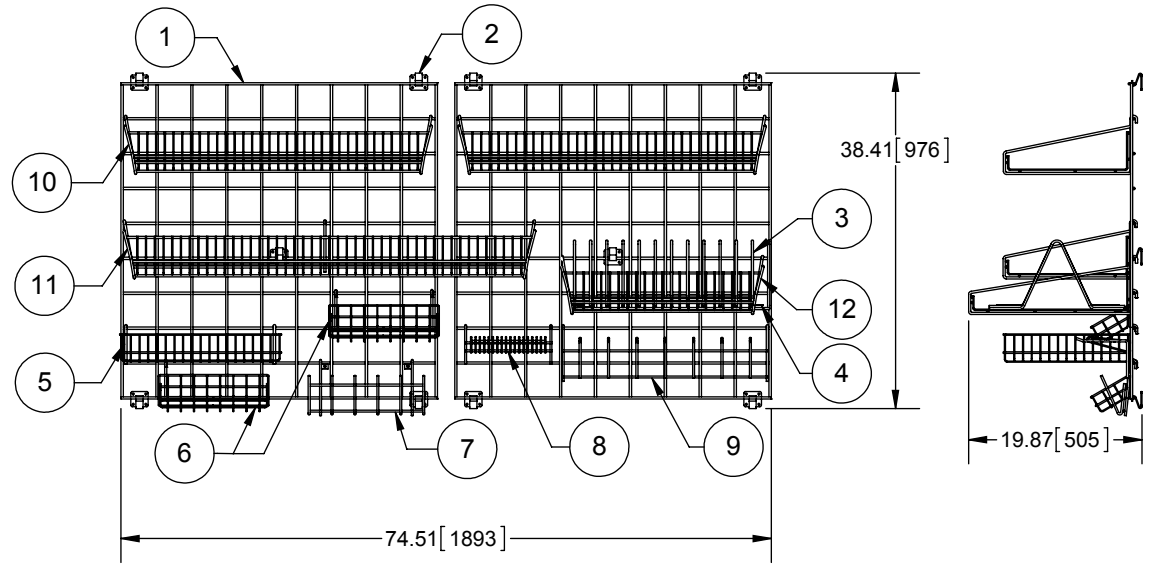
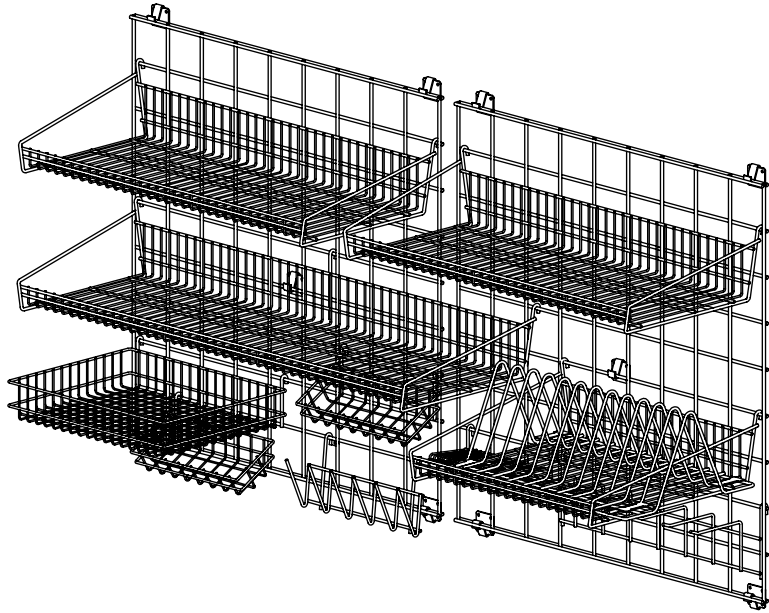
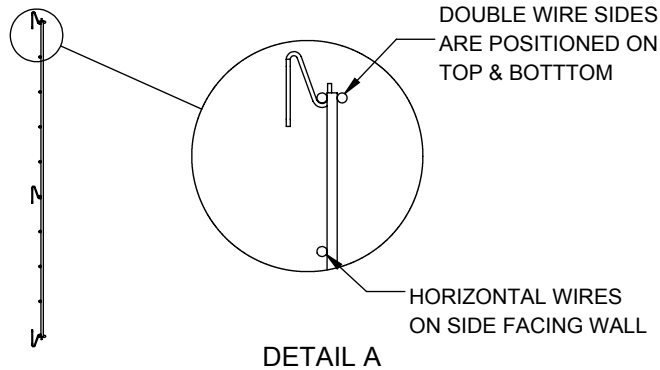


WST1819E

36" X 72" 3-COMP SINK WALL GRID KIT



NOTE: USE TWO #10 X 1" STAINLESS PAN-HEAD SHEET METAL SCREW FOR EACH WALL BRACKET (20 SCREWS TOTAL)



GRID WALL DETAIL

DETAIL A

ITEM NO.	QTY.	PART NO.	DESCRIPTION
12	1	GSL1824*	18" X 24" GRID SHELF W/ LIP UP
11	1	GSL1448*	14" X 48" GRID SHELF W/ LIP UP
10	2	GSL1436*	14" X 36" GRID SHELF W/ LIP UP
9	1	HOOK24*	24" HANGER W/ 7 PRONGS 6" LONG
8	1	SPATULAHDR*	SPATULA HOLDER
7	1	GRSBTLHDSP6*	SINGLE PRONG SQUEEZE BOTTLE HOLDER 13" WITH 6 HOOKS
6	2	GB4512*	4"X5"X12" GRID BASKET
5	1	GB18143*	18"X14"X3" GRID BSKT
4	4	710NYLCLIP	NYLON CLIP FOR TRAY MODULE
3	1	TM241*	24" TRAY MODULE
2	10	WGBR*	BRACKET, WALL GRID
1	2	GR3636*	36"X36" WALL FLAT GRID

BILL OF MATERIALS

PROPRIETARY NOTICE: This sheet contains confidential, proprietary information of Storage Product Group International LLC. Any person accepting this sheet and/or information agrees to make no disclosure, use or duplication thereof except as authorized by SPG to return this sheet on request. Copyright © 2010 Storage Product Group International. All rights reserved.	Weight:	TBD lbs.	Description: 36" X 72" 3-COMP SINK WALL GRID KIT			
	Volume:	TBD cu ft.	Date:	Drawn By:	Approved By:	Scale:
			TBD	NONE	Part No. WST1819E	GENERAL TOLERANCES IN ACCORDANCE WITH ISO 2768-M
	Material:	AS NOTED	Sketch No.			
	Finish:	GRAY BOND	SHEET 1 of 1			

SPG
STORAGE PRODUCTS GROUP



11230 Harland Drive
Covington, Georgia 30014
PH: 1-800-810-9080
www.spgusa.com