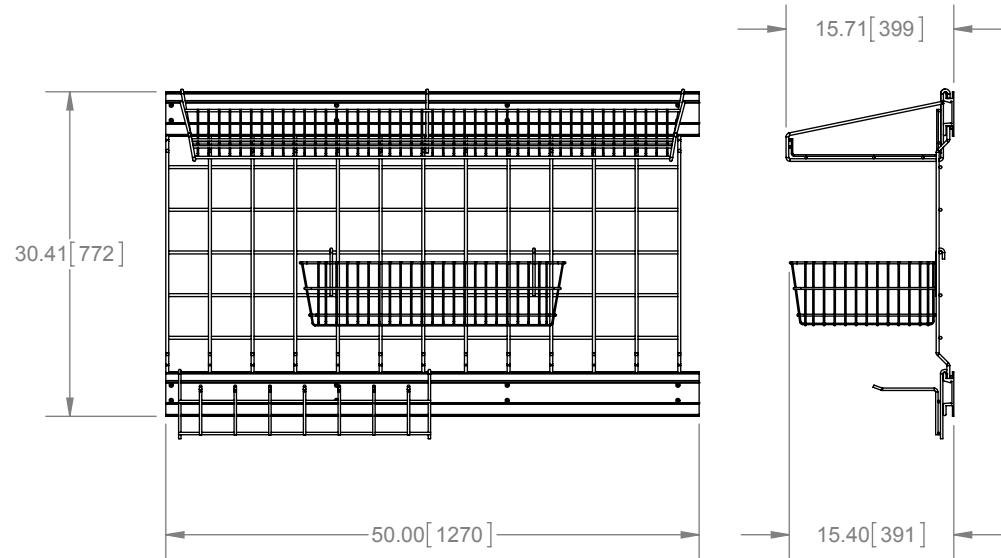
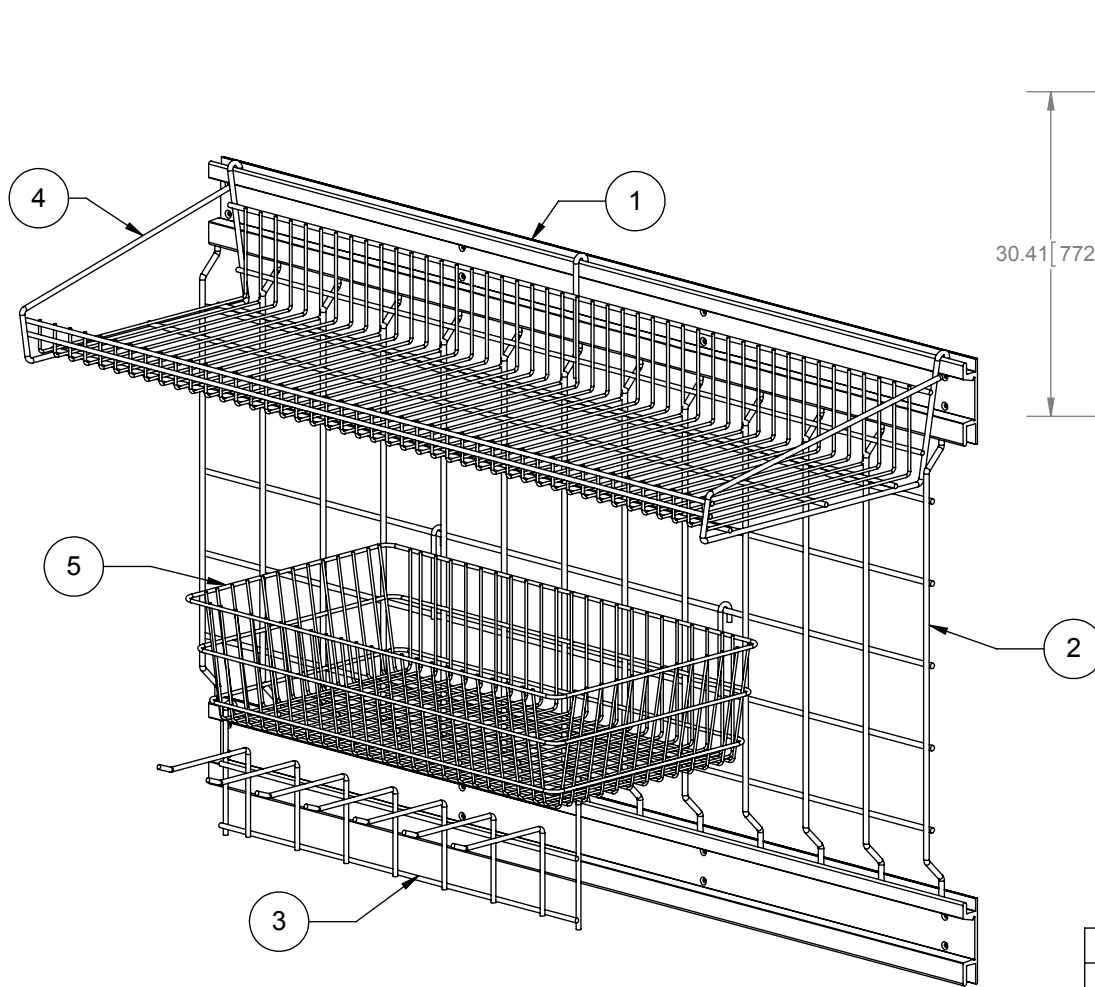


# WST1779E

## 30" X 50" 1-COMP SINK WALL GRID KIT



REVISIONS					
ZONE	REV.	DESCRIPTION	BY	DATE	ECO / NPR

5	1	GB12246*	12"X24"X6" GRID BASKET	
4	1	GSL1448*	14" X 48" GRID SHELF W/ LIP UP	
3	1	HOOK24*	24" HANGER W/ 7 PRONGS 6" LONG	
2	1	GRO2448*	24"X48" OFFSET GRID	
1	2	WENTRAXAPD	50" WALLTRAX CHANNEL_ LG 50.000"	
ITEM NO.	QTY.	PART NO.	DESCRIPTION	

### BILL OF MATERIALS



11230 Harland Drive  
Covington, Georgia 30014  
PH: 1-800-810-9080  
www.spgusa.com

#### PROPRIETARY NOTICE:

This sheet contains confidential, proprietary information of Storage Product Group International LLC. Any person accepting this sheet and/or information agrees to make no disclosure, use or duplication thereof except as authorized by SPG to return this sheet on request. Copyright © 2010 Storage Product Group International. All rights reserved.

Weight:	TBD lbs.	Description:	<b>30" X 50" BREW BAR 1-COMP SINK WALL GRID</b>		
Volume:	TBD cu ft.	Date:	Drawn By:	Approved By:	Part No.
Material:	AS NOTED	Scale:	TBD	NTS	<b>WST1779E</b>
Finish:	GREY BOND	Sketch No.			
SHEET 1 of 1					Rev.

