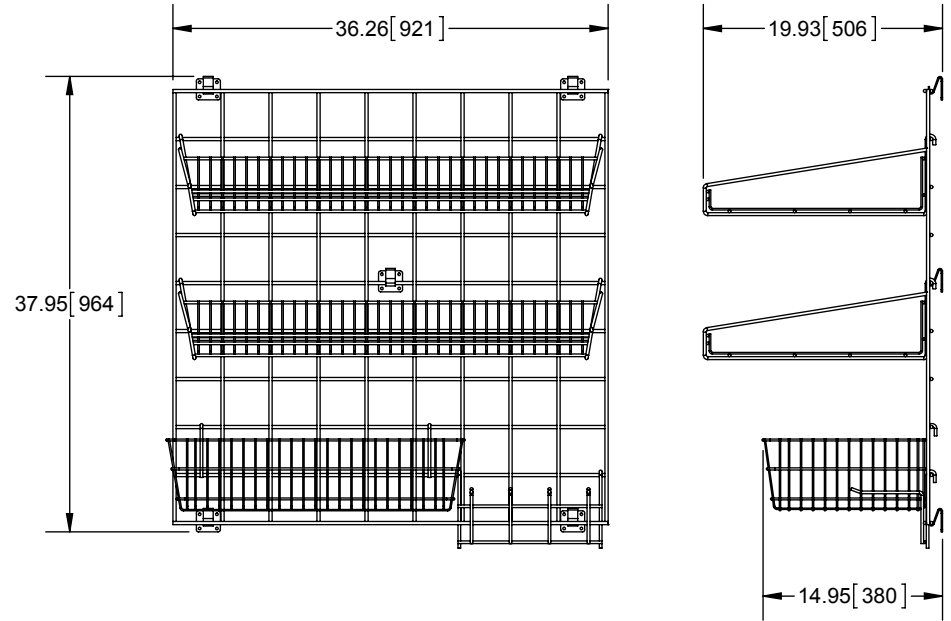
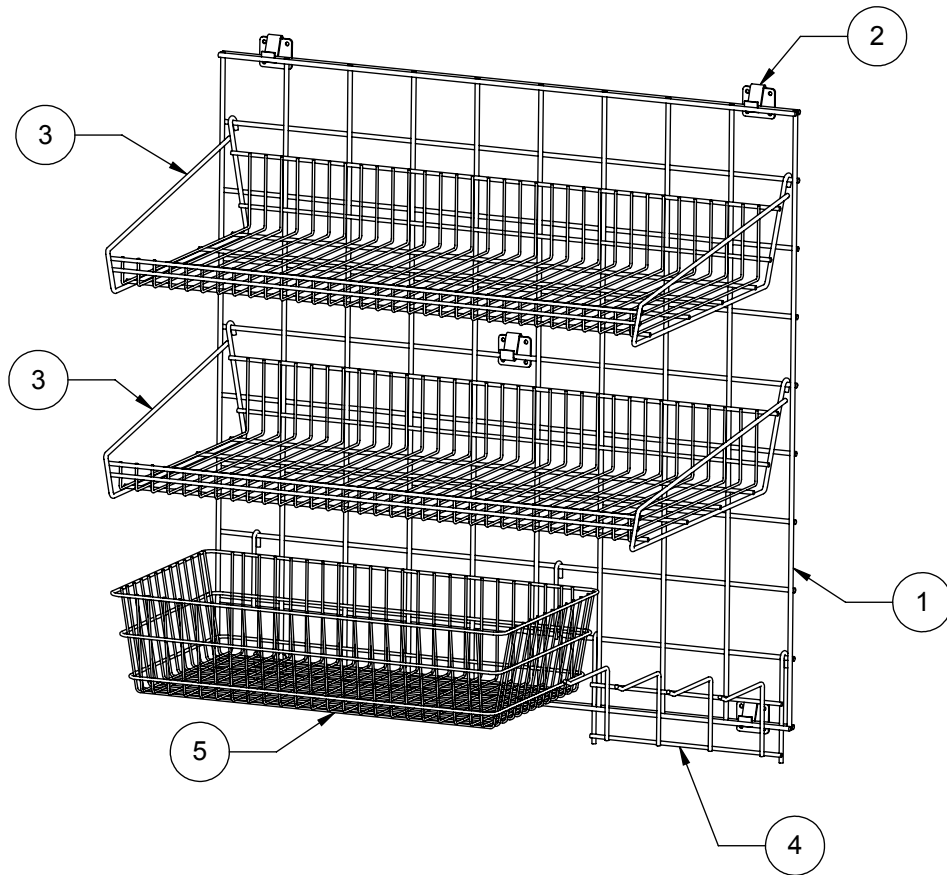


WST1804E

36" X 36" WALL GRID SHELVING KIT



REVISIONS					
ZONE	REV.	DESCRIPTION	BY	DATE	ECO / NPR

5	1	GB12246*	12"X24"X6" GRID BASKET	
4	1	HOOK12*	12" HANGER W/ FOUR 6" LONG PRONGS	
3	2	GSL1836*	18" X 36" GRID SHELF W/ LIP UP	
2	5	WGBR*	BRACKET, WALL GRID	
1	1	GR3636*	36"X36" WALL FLAT GRID	
ITEM NO.	QTY.	PART NO.	DESCRIPTION	

BILL OF MATERIALS



PROPRIETARY NOTICE:
 This sheet contains confidential, proprietary information of Storage Product Group International LLC. Any person accepting this sheet and/or information agrees to make no disclosure, use or duplication thereof except as authorized by SPG to return this sheet on request. Copyright © 2010 Storage Product Group International. All rights reserved.

Weight:	TBD lbs.	Description:			
Volume:	TBD cu ft.	36" X 36" WALL GRID SHELVING KIT			
Date:	Drawn By:	Approved By:	Scale:	Part No.	 GENERAL TOLERANCES IN ACCORDANCE WITH ISO 2768-M Rev.
Material:	AS NOTED	TBD	NONE	WST1804E	
Finish:	GREY BOND	Sketch No.		SHEET 1 of 1	