

STAINLESS STEEL TABLE

ADJUSTABLE ERGONOMIC DELI SLICER

UNIVERSAL
STAINLESS by
SPG



ITEM # _____ MODEL # _____ QTY: _____

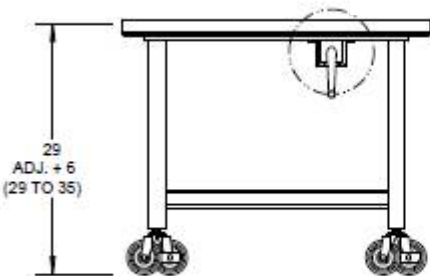
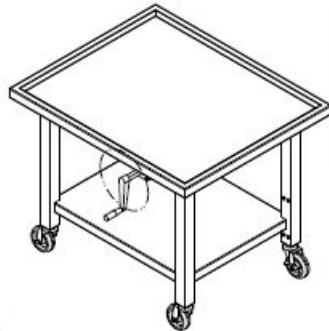
PROJECT: _____

OPTIONS: YES _____ NO _____

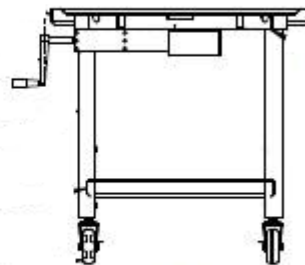


Standard Features & Benefits

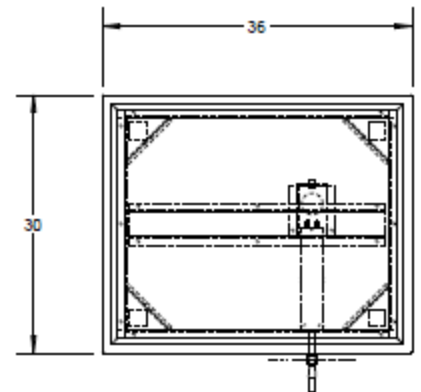
- ◆ Provides a customized work surface for each employee
- ◆ Improves efficiency and reduces fatigue
- ◆ 36" x 30" table with marine edge
16-gauge 300 Series stainless steel
- ◆ Under shelf 18-gauge 300 Series stainless steel
- ◆ 2" square stainless steel leg tubes
- ◆ Four 4-inch locking casters
- ◆ Designed with a fold-away hydraulic crank to quickly and easily adjust table surface from 29" to 35"
- ◆ Hydraulic line enclosed with stainless steel pan



ELEVATION
SCALE: 3/4" = 1"



SECTION
SCALE: 3/4" = 1"



For SPG's complete product menu,
visit www.spgusa.com or call 877.503.4SPG (4774)

EXPECT MORE
SPG
STORAGE PRODUCTS GROUP